

Features

- Cast, no-lead bronze
- NSF/ANSI/CAN 61 and 372 approved
- Made to ASME B16 Standards
- Oval sizes 1.5" NPT and 2" NPT
- Round sizes 2" NPT, 3" NPT, 4" NPT, 6" NPT, and 8" NPT

OVAL FLANGE KITS, LF BRONZE

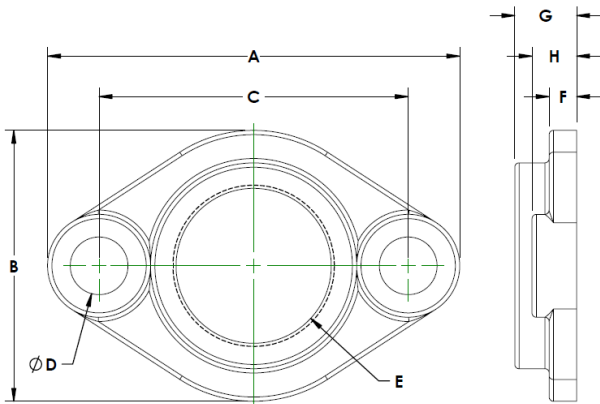
Each Flange Kit* Includes:						Dimensions (in), Reference							
Part #	Flange Qty	Gasket Qty	Bolt Size	Bolt Qty	Nut Qty	A	B	C	D	E	F	G	H
FLG150LF KIT (1.5" NPT)	2	2	5/8-11	4	4	5.75	3.6	4.0	0.75	1.5" NPT	0.4	0.84	0.65
FLG200LF KIT (2" NPT)	2	2	3/4-10	4	4	6.0	4.0	4.5	0.84	2" NPT	0.4	0.90	0.65

* for all flange kits, use washers as/where needed at assembly

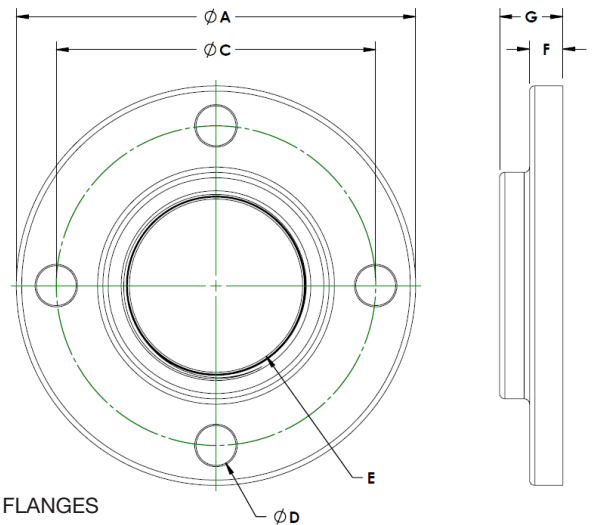
ROUND FLANGE KITS, LF BRONZE

Each Flange Kit* Includes:						Dimensions (in), Reference							
Part #	Flange Qty	Gasket Qty	Bolt Size	Bolt Qty	Nut Qty	A	-	C	D	E	F	G	-
FLG Round 2" KIT (2" NPT)	2	2	5/8-11	8	8	6.0	-	4.75	0.75	2" NPT	0.50	0.99	-
FLG 3" KIT (3" NPT)	2	2	5/8-11	8	8	7.5	-	6.0	0.75	3" NPT	0.63	1.19	-
FLG 4" KIT (4" NPT)	2	2	5/8-11	16	16	9.0	-	7.5	0.75	4" NPT	0.69	1.30	-
FLG 6" KIT (6" NPT)	2	2	3/4-10	16	16	11.0	-	9.5	0.88	6" NPT	0.81	1.57	-
FLG 8" KIT (8" NPT)	2	2	3/4-10	16	16	13.5	-	11.75	0.88	8" NPT	0.94	1.73	-

* for all flange kits, use washers as/where needed at assembly



OVAL FLANGES



ROUND FLANGES



FOR ORDERS & INQUIRIES:
877-863-8377